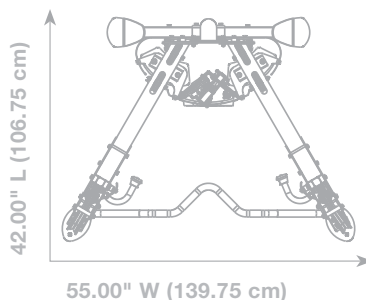
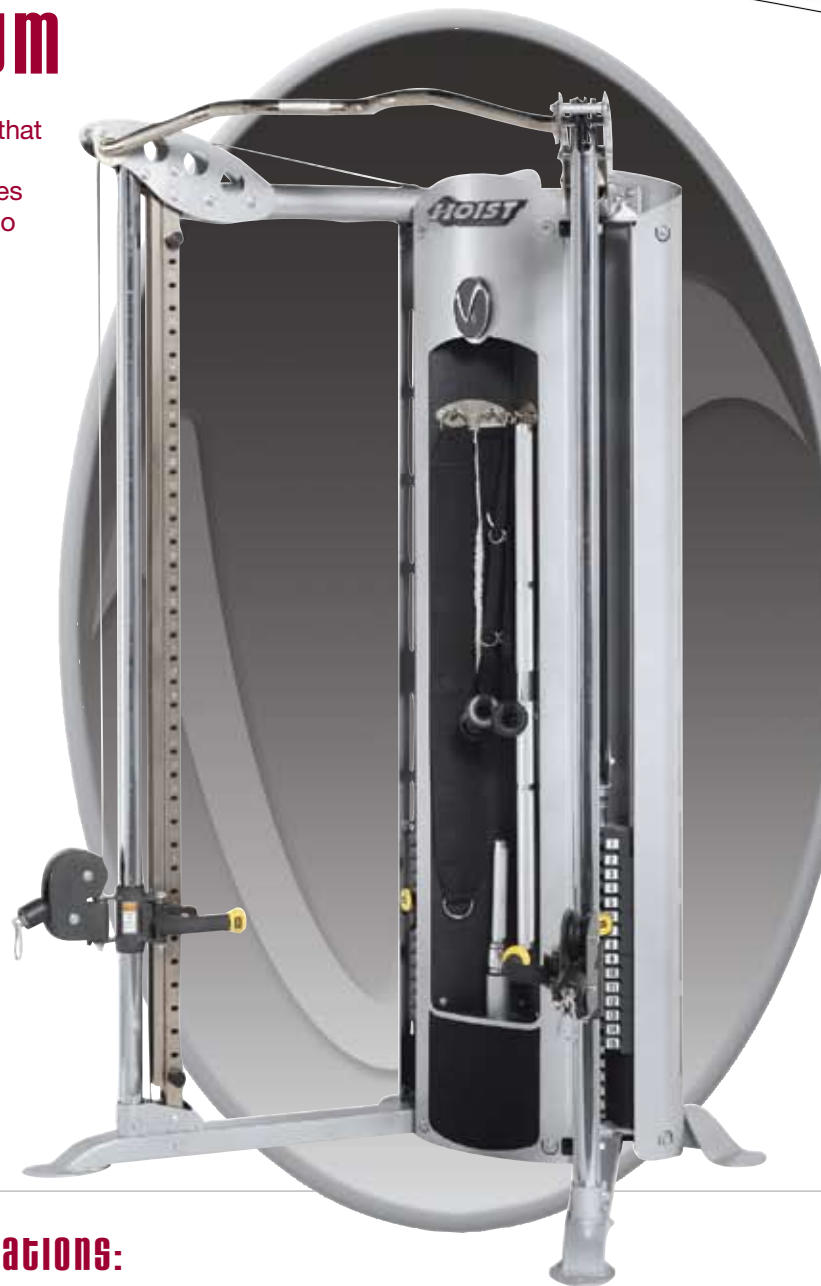


V6 PERSONAL PULLEY GYM

The unique and stylish HOIST® V6 is a personal pulley gym that is engineered with the innovative excellence that the fitness industry has come to expect from HOIST®. This gym provides a complete range of functional training exercises designed to obtain maximum results and achieve a strong and versatile body. The V6 is engineered to build multiple muscle groups through smooth, rhythmic, and continuous movements that support the body as it moves through life.

FEATURES

- ◆ Counter-balanced pulleys are combined with a unique integrated adjuster system to provide smooth & easy one-handed adjustments
- ◆ 35 pulley positions per column allows for each side of the body to be trained independently or both sides simultaneously
- ◆ Integrated Recessed Accessory Rack with bottom tray for convenient storage of accessories and personal items
- ◆ The patented Radial Loc® weight system reduces shifting between weight plates for a smooth, quiet motion
- ◆ Fully enclosed weight stacks with vented shrouds for noise reduction
- ◆ Compact, walk-through design requires minimal floor space
- ◆ Split Weight Cabling® delivers 50% resistance to pulleys for increased cable travel (114" with strap handles)
- ◆ Multi-position chin-up bar



SPECIFICATIONS:

US / METRIC

Length:	42.00" / 106.75 cm
Width:	55.00" / 139.75 cm
Height:	85.00" / 216.00 cm
Machine Weight:	673 lbs. / 306 kg

V6 PERSONAL PULLEY GYM

ACCESSORIES

- ◆ Adjustable strap handles (1 pair) for varying user heights & arm lengths
- ◆ Assist strap for weight assisted pull-ups & lunges
- ◆ Padded ankle/thigh strap for comfortable leg exercises
- ◆ Dual attachment aluminum long bar enables the use of both pulleys simultaneously
- ◆ Commercial quality ultra light aluminum curl bar with revolving attachment point
- ◆ Exercise DVD & Wall Poster

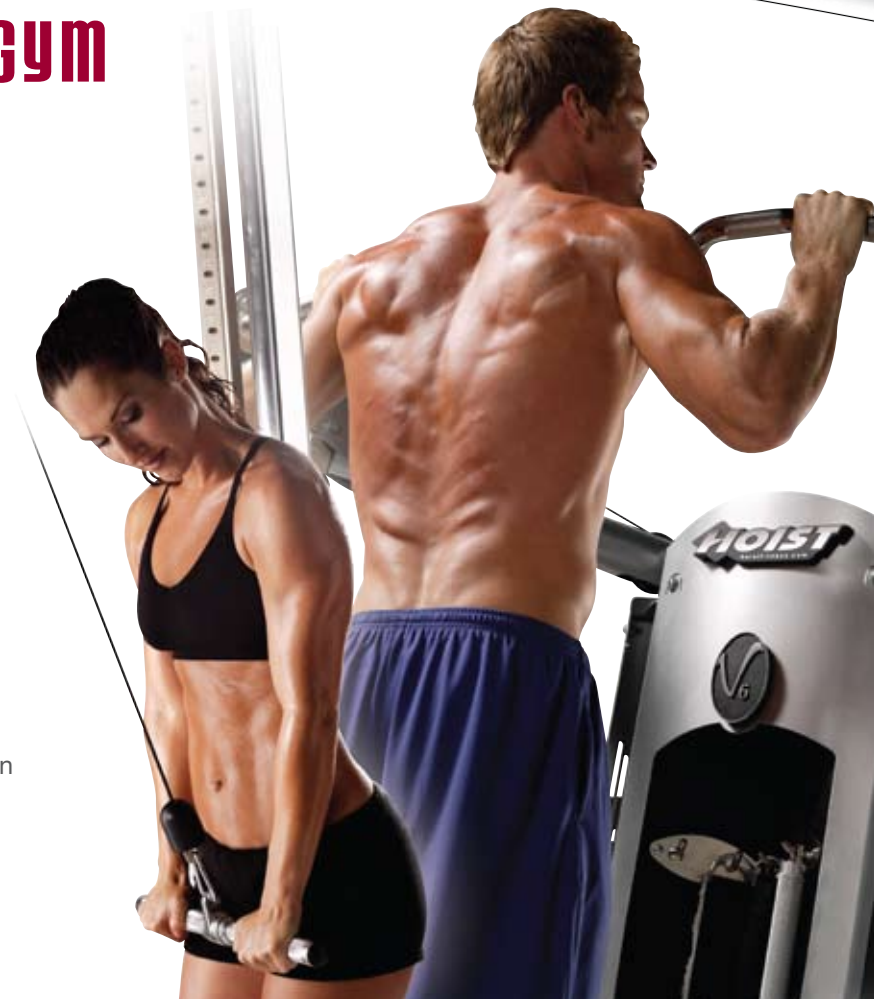
OPTIONS

- ◆ V6 weight stack upgrade:
Dual 200 lb. cast weight stacks
(V6 standard weight stack: 150 lbs.)

OPTIONAL HOIST® BENCHES

The following HOIST® benches can be added to work within the V6 (benches sold separately)

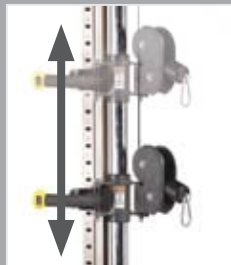
- ◆ HF-4145 Multi-Position Bench
- ◆ HF-4165 6 Position Flat/Incline/Decline Bench
- ◆ HF-4167 Fold-up Flat/Incline Bench
- ◆ PTS-164 Flat/Incline Bench



MULTI-POSITION
CHIN-UP BAR



ONE-HANDED
ADJUSTER SYSTEM



INTEGRATED RECESSED
ACCESSORY RACK



WEIGHT STACK UPGRADE



ADJUSTABLE STRAP
HANDLES (1 PAIR)



LIFETIME FRAME* ♦ 10 YEARS MOVING PARTS* ♦ 10 YEAR PAINT, CABLES & UPHOLSTERY*

© March 2007 HOIST® Fitness Systems. All Rights Reserved. (0308.B)

*Warranty applies to defects from the manufacturer only and is valid only to the original purchaser of the product. Proof of purchase required. Visit our website for complete product warranty information.

9990 Empire Street San Diego, CA 92126 ♦ www.hoistfitness.com ♦ sales@hoistfitness.com ♦ 800.548.LIFT